



elektrosistem



HEADLIGHTS AND FLASH LIGHTS TYPE FLASH, STROBO AND ROTO

Today, handling technology is associated with a greater attention for users safety. In order to gear products to national and international standards manufacturers of lift trucks, transpallets, cranes, floor washing machines, sweepers and other vehicles operating in industrial and public areas such as stations, airports, harbours, etc. are now installing acoustic and visual signalling systems (flash lights, horns, alarms, etc.), that are generally quite inexpensive but add reliability to the product.

Elektrosistem, a company always interested in meeting customers' requirements, has designed a rotating headlight, a flash light with intensity 21-70W at 12/24/36 VDC and a multivoltage xenon flash light operating at 10/120 VDC.

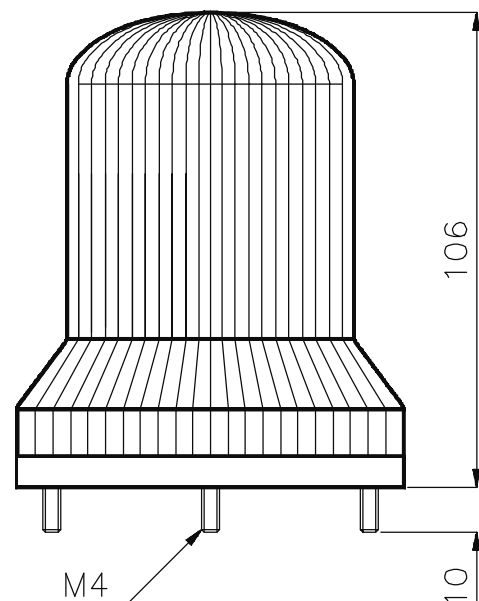
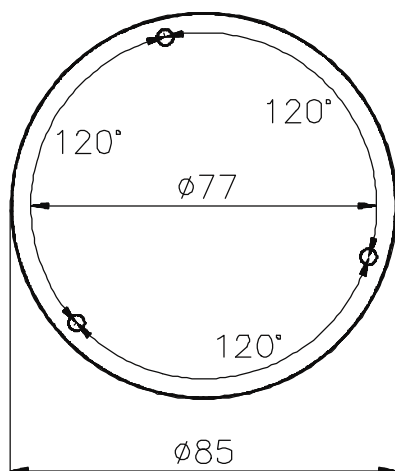
The rotating headlight can be supplied in a kit with an SMPS-09A power supply for voltages other than 12 and 24 VDC.

MAIN TECHNICAL FEATURES OF HEADLIGHTS WITH XENON LIGHTS (type STROBO)

- Multivoltage: 10 - 120V
- Xenon light
- Electrical input: $\pm 2.5W$
- Adjustable flashing frequency: 0.55 - 1.1Hz
- Protection IP 56
- Running temperature: $-30^{\circ}C$ $+40^{\circ}C$

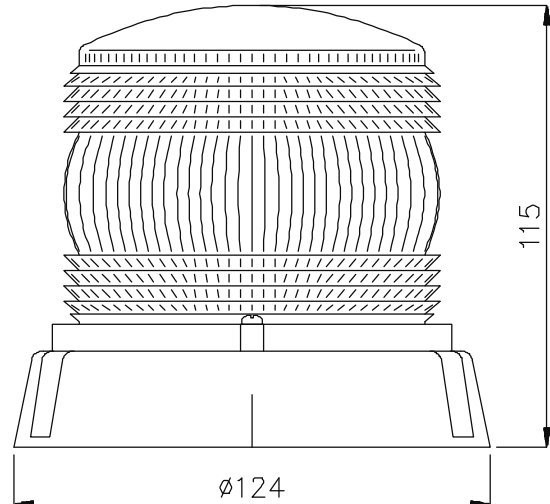
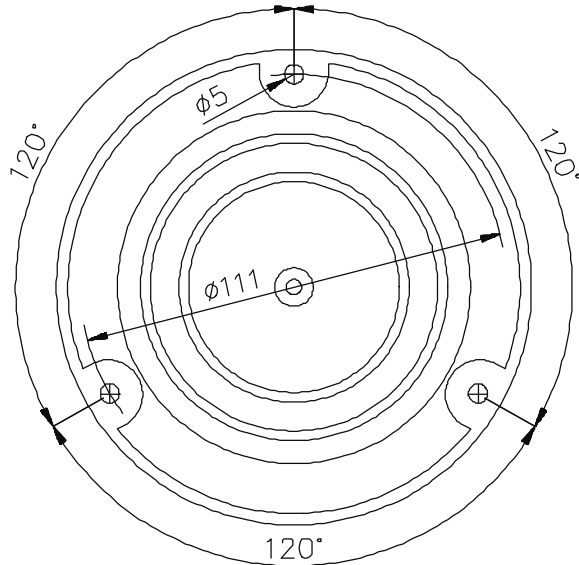
Made up of a moplen base and a metacrylate methyl cover.

FLASH-1 for voltages of 12V, 24V and 36V
STROBO-1 for voltages from 10V to 120V



~~NEWS~~

STROBO-3 for voltages from 10V to 120V
FLASH-3 for voltages of 36V



ROTO-5 for voltages from 12V to 24V
ROTO-5 for voltages from 36V to 80V with SMPS-09A power supply
STROBO-5 for voltages from 10V to 120V

